

ASYSTR 400

Weight	:	20 KG
Payload	:	Upto 3 KG
Reach	:	Upto 400 Diameter (mm)
Tool Lift Stroke	:	150 (mm)

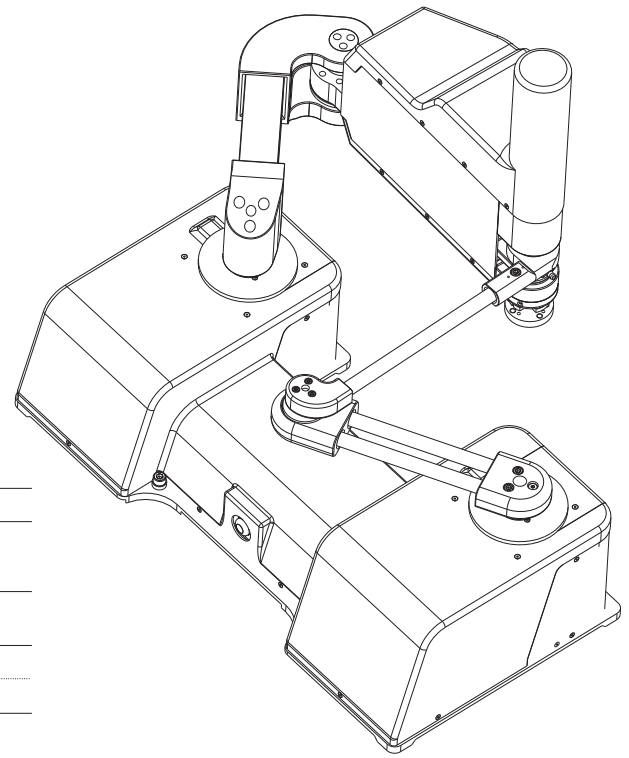
Repeatability	:	0.1 mm at tool tip
Tool Attachment	:	ISO_9409-1-63-4-M6
Footprint	:	See image on reverse
Degrees of Freedom	:	4
Cabling Harness	:	Internal

Control Box Size WxHxD	:	200 x 420 x 330 (mm)
Control Box Weight	:	15 KG

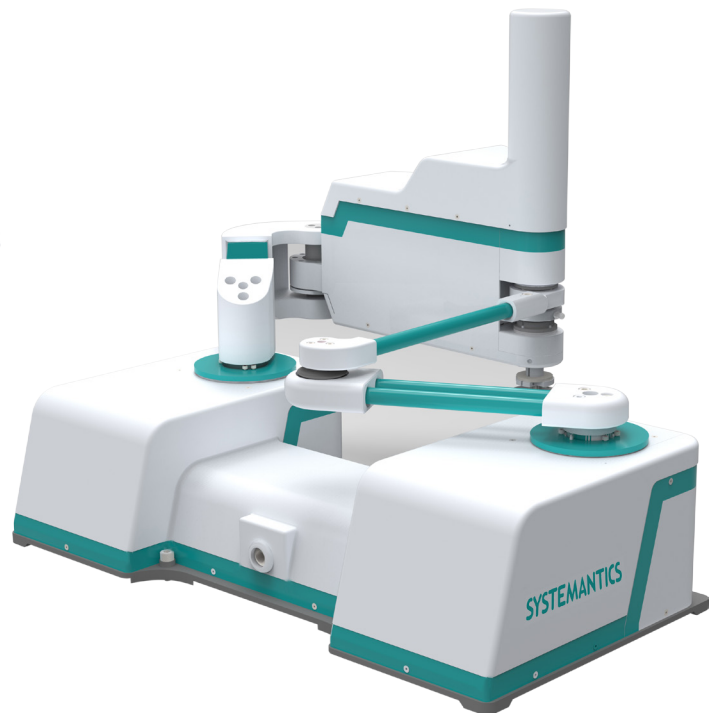
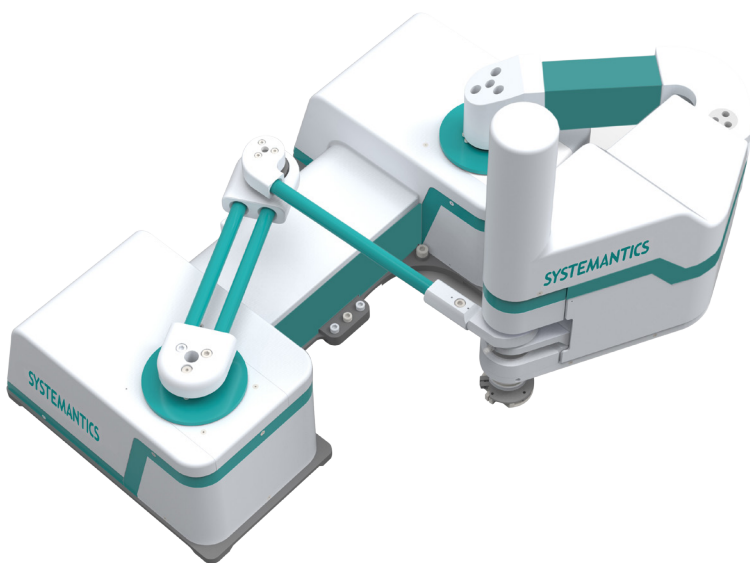
I/O Ports	:	At Panel
Digital In	:	9 Standard + 18 (2x9) optional
Digital Out	:	5 Standard + 10 (2x5) optional

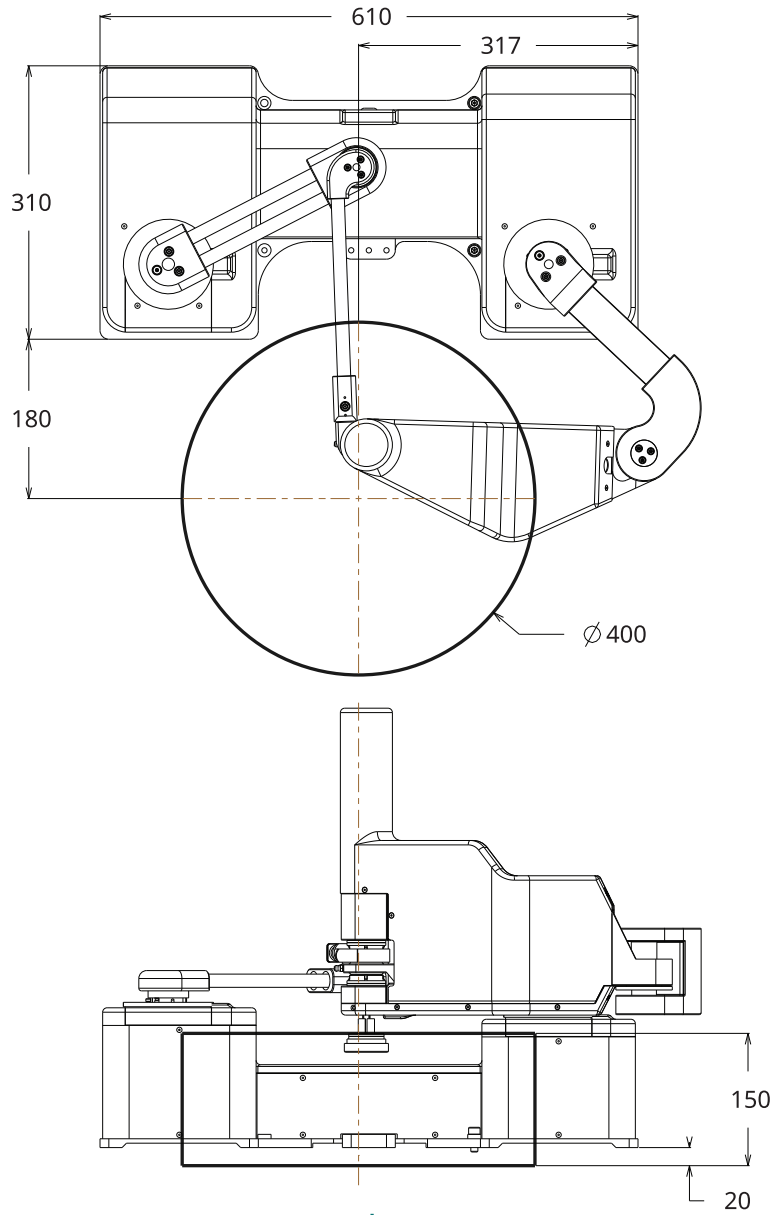
Communication	:	Bluetooth 3.0 and Wi Fi 802.11 b/g/m
Programming	:	Android Tab Application

IP Classification	:	IP 40
Temperature	:	50 Deg C
Power Supply	:	Universal 110V/230V AC 50/60 Hz

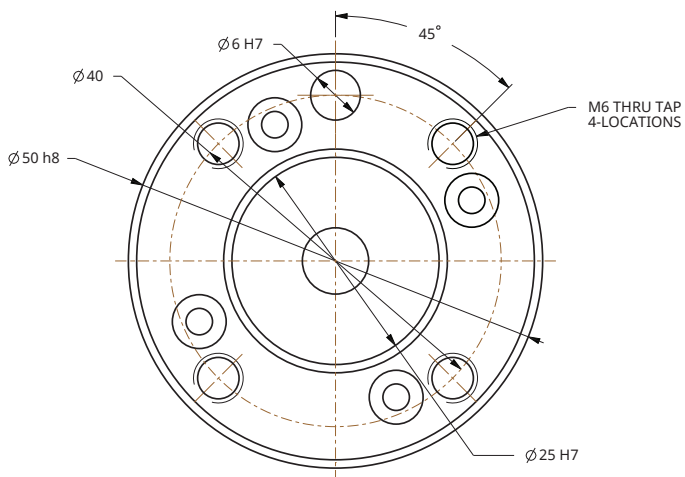


Isometric

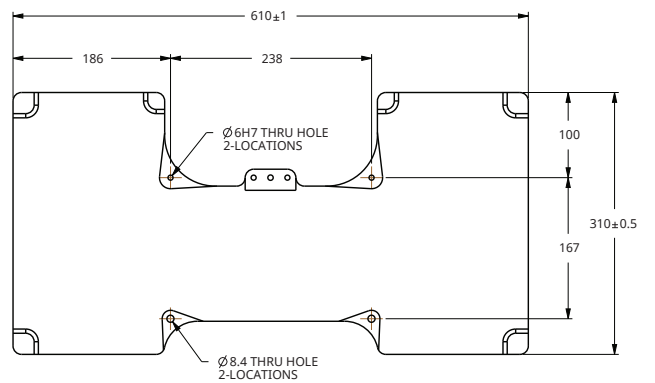




Workspace



End-Tip



Footprint

NOTE : Dimensions are shown in millimeters
Additional details will be provided on request